

1500 Series



19

CEN Grade 4 Euro Profile Cylinders

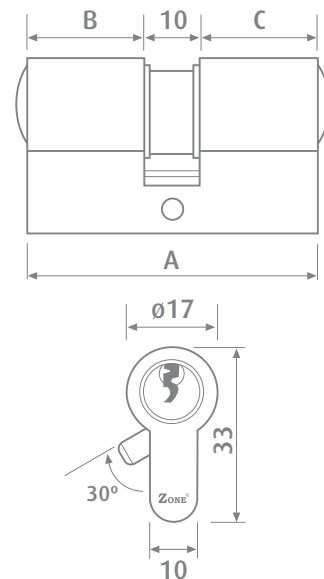
Double Cylinder

The 1500 series Euro profile cylinder fits all standard European profile cylinder mortise locks. This type of cylinder has been popular in Continental Europe for many years because it is reasonably economical, is functionally adaptable, and is easy to install. Profile cylinders are rapidly gaining popularity in the UK market.



General Specification

- Quality solid brass body and plug
- CEN grade 4 certification
- 30 degree offset cam inhibits knock through
- High quality 6 pin tumbler mechanism
- Anti pick drivers
- Anti drill pins
- Anti pick key profile
- Large range of key combinations
- 3 brass keys, nickel plated
- Available in polished brass (PB) or satin chrome (SCP)
- Available keyed to differ or keyed alike



Technical Specification

Product Code	A	B	C	No. Pins
Double Cylinder				
1500/30/30	70.0	30.0	30.0	6
1500/30/35	75.0	30.0	35.0	6
1500/30/40	80.0	30.0	40.0	6
1500/30/45	85.0	30.0	45.0	6
1500/30/50	90.0	30.0	50.0	6
1500/30/55	95.0	30.0	55.0	6
1500/35/35	80.0	35.0	35.0	6

Product Code	A	B	C	No. Pins
Double Cylinder				
1500/35/40	85.0	35.0	40.0	6
1500/35/45	90.0	35.0	45.0	6
1500/35/50	95.0	35.0	50.0	6
1500/35/55	100.0	35.0	55.0	6
1500/40/40	90.0	40.0	40.0	6
1500/40/50	100.0	40.0	50.0	6

19

1500 Series

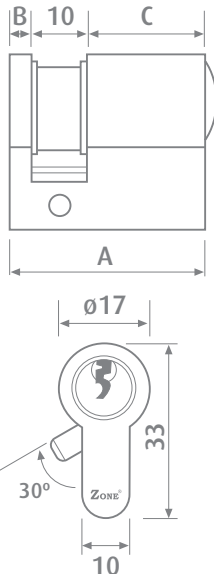


CEN Grade 4 Euro Profile Cylinders

20

Single Cylinder

The 1500 series Euro profile cylinder fits all standard European profile cylinder mortise locks. This type of cylinder has been popular in Continental Europe for many years because it is reasonably economical, is functionally adaptable, and is easy to install. Profile cylinders are rapidly gaining popularity in the UK market.



General Specification

- Quality solid brass body and plug
- CEN grade 4 certification
- 30 degree offset cam inhibits knock through
- High quality 6 pin tumbler mechanism
- Anti pick drivers
- Anti drill pins
- Anti pick key profile
- Large range of key combinations
- 3 brass keys, nickel plated
- Available in polished brass (PB) or satin chrome (SCP)
- Available keyed to differ or keyed alike

Technical Specification

Product Code	A	B	C	No. Pins
Single Cylinder				
1500/05/30	45.0	05.0	30.0	6
1500/05/35	50.0	05.0	35.0	6
1500/05/40	55.0	05.0	40.0	6
1500/05/45	60.0	05.0	45.0	6
1500/05/55	70.0	05.0	55.0	6

20

1500 Series



21

CEN Grade 4 Euro Profile Cylinders

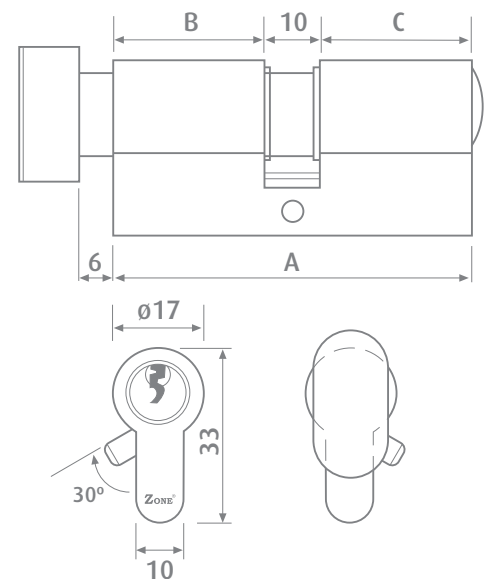
Cylinder & Thumbturn

The 1500 series Euro profile cylinder fits all standard European profile cylinder mortise locks. This type of cylinder has been popular in Continental Europe for many years because it is reasonably economical, is functionally adaptable, and is easy to install. Profile cylinders are rapidly gaining popularity in the UK market.



General Specification

- Quality solid brass body and plug
- CEN grade 4 certification
- 30 degree offset cam inhibits knock through
- High quality 6 pin tumbler mechanism
- Anti pick drivers
- Anti drill pins
- Anti pick key profile
- Large range of key combinations
- 3 brass keys, nickel plated
- Available in polished brass (PB) or satin chrome (SCP)
- Available keyed to differ or keyed alike



Technical Specification

Product Code	A	B	C	No. Pins
Cylinder & Thumbturn				
1500/30/30/T	70.0	30.0	30.0	6
1500/30/35/T	75.0	30.0	35.0	6
1500/35/35/T	80.0	35.0	35.0	6
1500/40/40/T	90.0	40.0	40.0	6
1500/35/45/T	90.0	35.0	45.0	6



21