

1500 Series

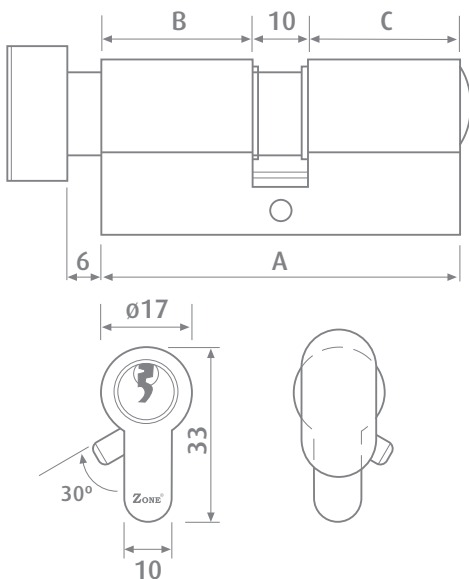


CEN Grade 4 Euro Profile Cylinders

19

Cylinder & Thumbturn

The 1500 series Euro profile cylinder fits all standard European profile cylinder mortise locks. This type of cylinder has been popular in Continental Europe for many years because it is reasonably economical, is functionally adaptable, and is easy to install. Profile cylinders are rapidly gaining popularity in the UK market



General Specification

- Quality solid brass body and plug
- CEN grade 4 certification
- 30 degree offset cam inhibits knock through
- High quality 6 pin tumbler mechanism
- Anti pick drivers
- Anti drill pins
- Anti pick key profile
- Large range of key combinations
- 3 brass keys, nickel plated
- Available in polished brass (PB) or satin chrome (SCP)
- Available keyed to differ or keyed alike

Technical Specification

Product Code	A	B	C	No. Pins
Cylinder & Thumbturn				
1500/30/30/T	70.0	30.0	30.0	6
1500/30/35/T	75.0	30.0	35.0	6
1500/35/35/T	80.0	35.0	35.0	6
1500/40/40/T	90.0	40.0	40.0	6
1500/35/45/T	90.0	35.0	45.0	6

19