

1850 Series

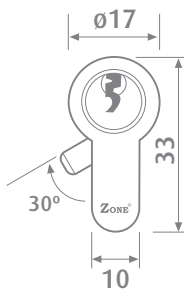
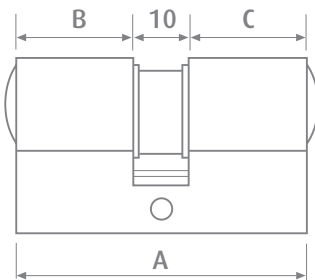


Contract Euro Profile Cylinders

24

Double Cylinder

The 1850 series Euro profile cylinder fits all standard European profile cylinder mortise locks. These cylinders are less well finished than the 1500 series but are functionally reliable. They are aimed at the budget "first fit" market.



General Specification

- Quality solid brass body and plug
- 30 degree offset cam inhibits knock through
- High quality 5 pin tumbler mechanism
- Anti pick drivers
- Anti drill pins
- Anti pick key profile
- Large range of key combinations
- 3 brass keys, nickel plated
- Available in polished brass (PB) or satin chrome (SCP)
- Available keyed to differ or keyed alike

Technical Specification

Product Code	A	B	C	No. Pins
Double Cylinder				
1850/30/30	70.0	30.0	30.0	5
1850/30/35	75.0	30.0	35.0	5
1850/30/40	80.0	30.0	40.0	5
1850/30/45	85.0	30.0	45.0	5
1850/30/50	90.0	30.0	50.0	5
1850/30/55	95.0	30.0	55.0	5
1850/35/35	80.0	35.0	35.0	5

Product Code	A	B	C	No. Pins
Double Cylinder				
1850/35/40	85.0	35.0	40.0	5
1850/35/45	90.0	35.0	45.0	5
1850/35/50	95.0	35.0	50.0	5
1850/35/55	100.0	35.0	55.0	5
1850/40/40	90.0	40.0	40.0	5
1850/40/50	100.0	40.0	50.0	5

24

1850 Series



25

Contract Euro Profile Cylinders

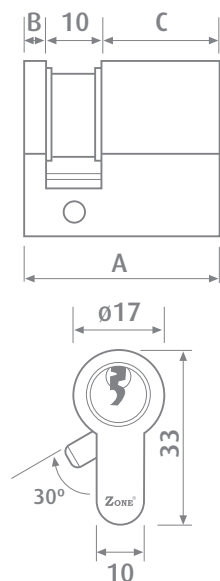
Single Cylinder

The 1850 series Euro profile cylinder fits all standard European profile cylinder mortise locks. These cylinders are less well finished than the 1500 series but are functionally reliable. They are aimed at the budget "first fit" market.



General Specification

- Quality solid brass body and plug
- 30 degree offset cam inhibits knock through
- High quality 5 pin tumbler mechanism
- Anti pick drivers
- Anti drill pins
- Anti pick key profile
- Large range of key combinations
- 3 brass keys, nickel plated
- Available in polished brass (PB) or satin chrome (SCP)
- Available keyed to differ or keyed alike



Technical Specification

Product Code	A	B	C	No. Pins
Single Cylinder				
1850/05/30	45.0	05.0	30.0	5
1850/05/35	50.0	05.0	35.0	5
1850/05/40	55.0	05.0	40.0	5
1850/05/45	60.0	05.0	45.0	5
1850/05/55	70.0	05.0	55.0	5

25

1850 Series

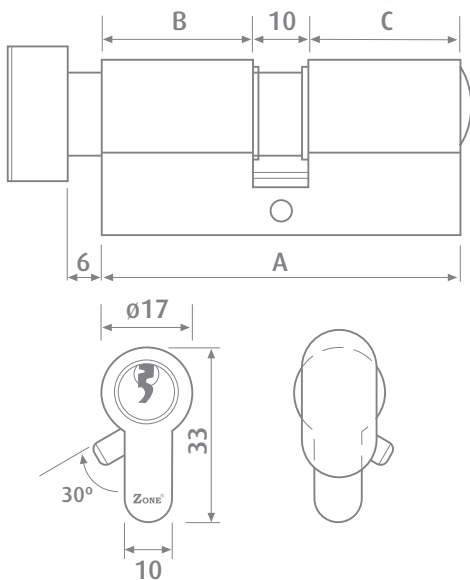


Contract Euro Profile Cylinders

26

Cylinder & Thumbturn

The 1850 series Euro profile cylinder fits all standard European profile cylinder mortise locks. These cylinders are less well finished than the 1500 series but are functionally reliable. They are aimed at the budget "first fit" market.



General Specification

- Quality solid brass body and plug
- 30 degree offset cam inhibits knock through
- High quality 5 pin tumbler mechanism
- Anti pick drivers
- Anti drill pins
- Anti pick key profile
- Large range of key combinations
- 3 brass keys, nickel plated
- Available in polished brass (PB) or satin chrome (SCP)
- Available keyed to differ or keyed alike

Technical Specification

Product Code	A	B	C	No. Pins
Cylinder & Thumbturn				
1850/30/30	70.0	30.0	30.0	5
1850/30/35	75.0	30.0	35.0	5
1850/35/35	80.0	35.0	35.0	5
1850/40/40	90.0	40.0	40.0	5
1850/35/40	90.0	35.0	45.0	5

26