

400 Series



9

Stainless Steel Discus Padlocks

The 400 series padlocks are constructed from high quality stainless steel which makes them ideal for use in marine or other corrosive environments. The closed shackle configuration provides protection against attack by bolt cutters and, when used in conjunction with a security hasp & staple, provides high levels of security. Also the tough, robust properties of stainless steel provides high resistance to abuse attack. The hardened shackle is held in position by a double locking mechanism. The lock is protected by a 4 pin key system with a key retention feature in the unlocked position. In summary, this is a highly durable padlock that will retain its performance and good looks even in hostile environments.

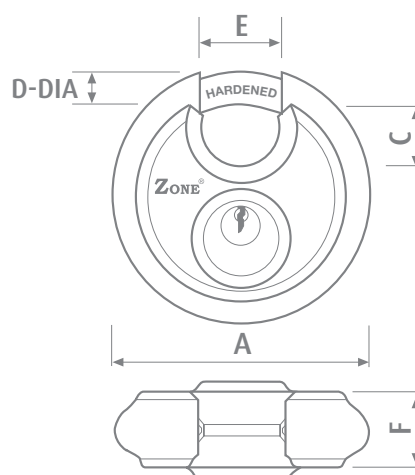


General Specification

- Function – closed shackle
- Double locking
- Stainless steel body (316 grade)
- Hardened steel shackle
- Anti pick drivers
- Anti pick key profile
- Large range of key combinations
- 2 brass keys, nickel plated
- Key retention

Technical Specification

	60mm	70mm
Size A mm	60.0	70.0
Size B mm	16.0	22.5
Size C mm	12.0	16.0
Size D mm	8.0	10.0
Size E mm	26.0	29.5
Size F mm	26.0	30.0
No. pins	4	4



9