

8000 Series



31

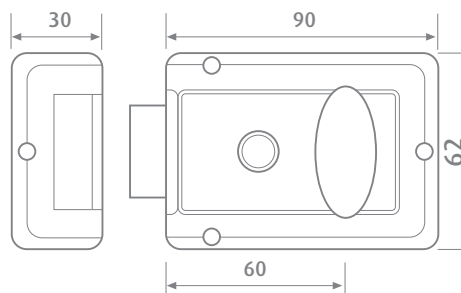
Rim Locks

The 8000 traditional rim lock will retro-fit most popular nightlatches without additional door preparation. It comes supplied with rim cylinder and fixing screws. The lock is supplied either in boxed or visual pack in polished brass, polished chrome, silver enamel and green enamel finishes.



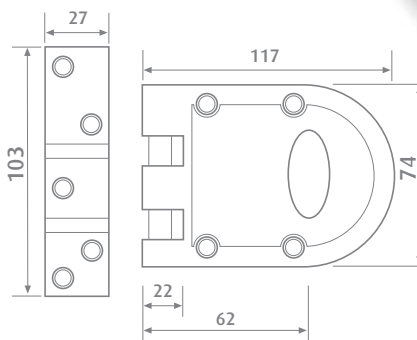
Technical Specification

Product code	Finish
8000/PB/V	Polished brass
8000/SE/V	Silver enamel
8000/GE/V	Green enamel
8000/CP/V	Polished chrome plate



8100 Jimmy Proof Lock

This lock is suitable for both hinged and sliding door applications. The turn knob is lockable from outside by use of the key. The lock is robustly constructed to resist abuse attack. The twin steel bolts are well protected and are automatically deadlocked. The lock is available in boxed and visual pack. The finish is satin chrome plate.



31